



Features

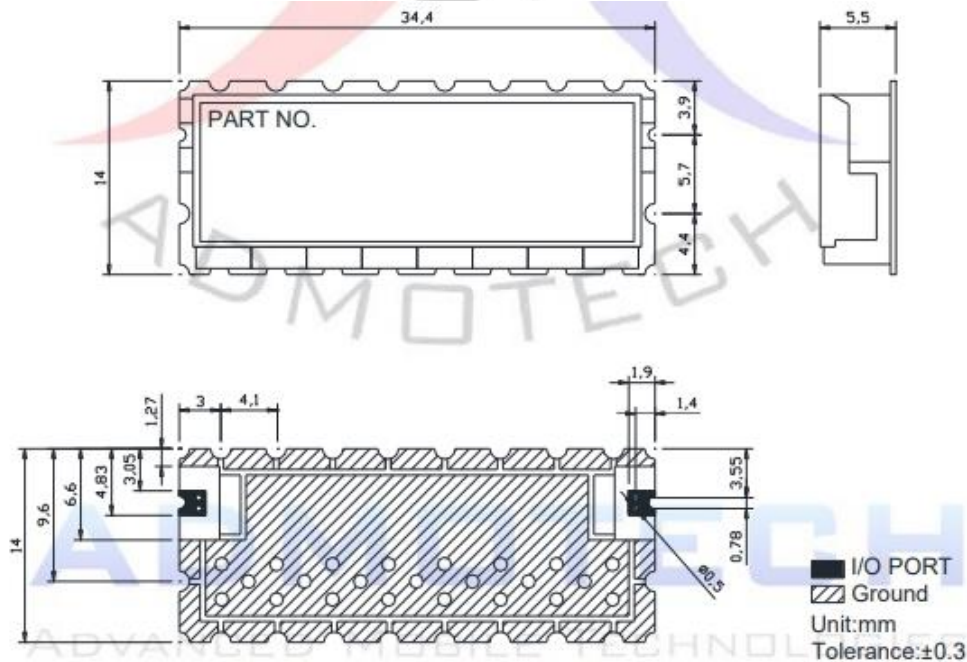
- Ceramic Band Pass Filter (2,405 MHz ~ 2,855 MHz)
- Typical 1.6 dB Insertion Loss
- CW 1W Power Handling



Specifications

Parameter	Specifications	Remarks
Frequency Range	2,405 ~ 2,855 MHz	BW : 450 MHz
Center Frequency	2,630 MHz	
Insertion Loss (Max.)	2.0 dB	
Pass Band Ripple (Max.)	1.0 dB	
Return Loss (Min.)	15.0 dB	
Rejection (Min.)	60 dB @ DC ~ 2,230 MHz	
	25 dB @ 3,030 MHz	
	60 dB @ 3,600 ~ 4,200 MHz	
In/ Out Impedance	50 Ω	
Handling Power (Max.)	CW 2 W	
Operation Temperature Range	-40 °C ~ +85 °C	

Outline drawing



Typical Response

